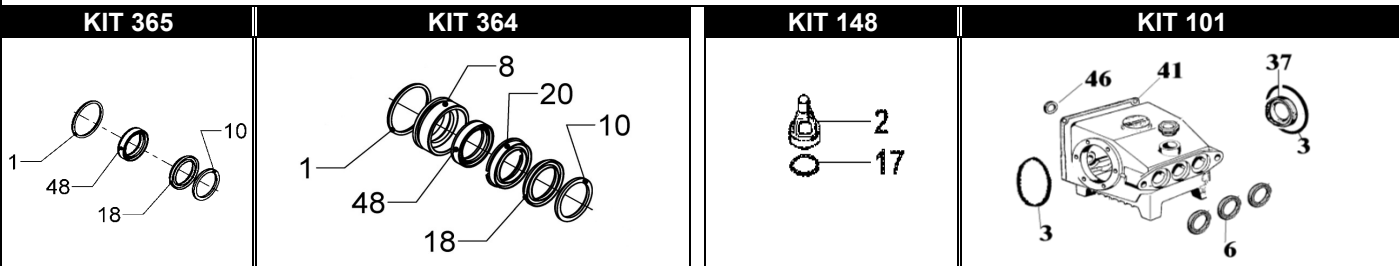
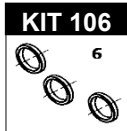
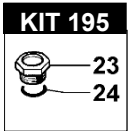
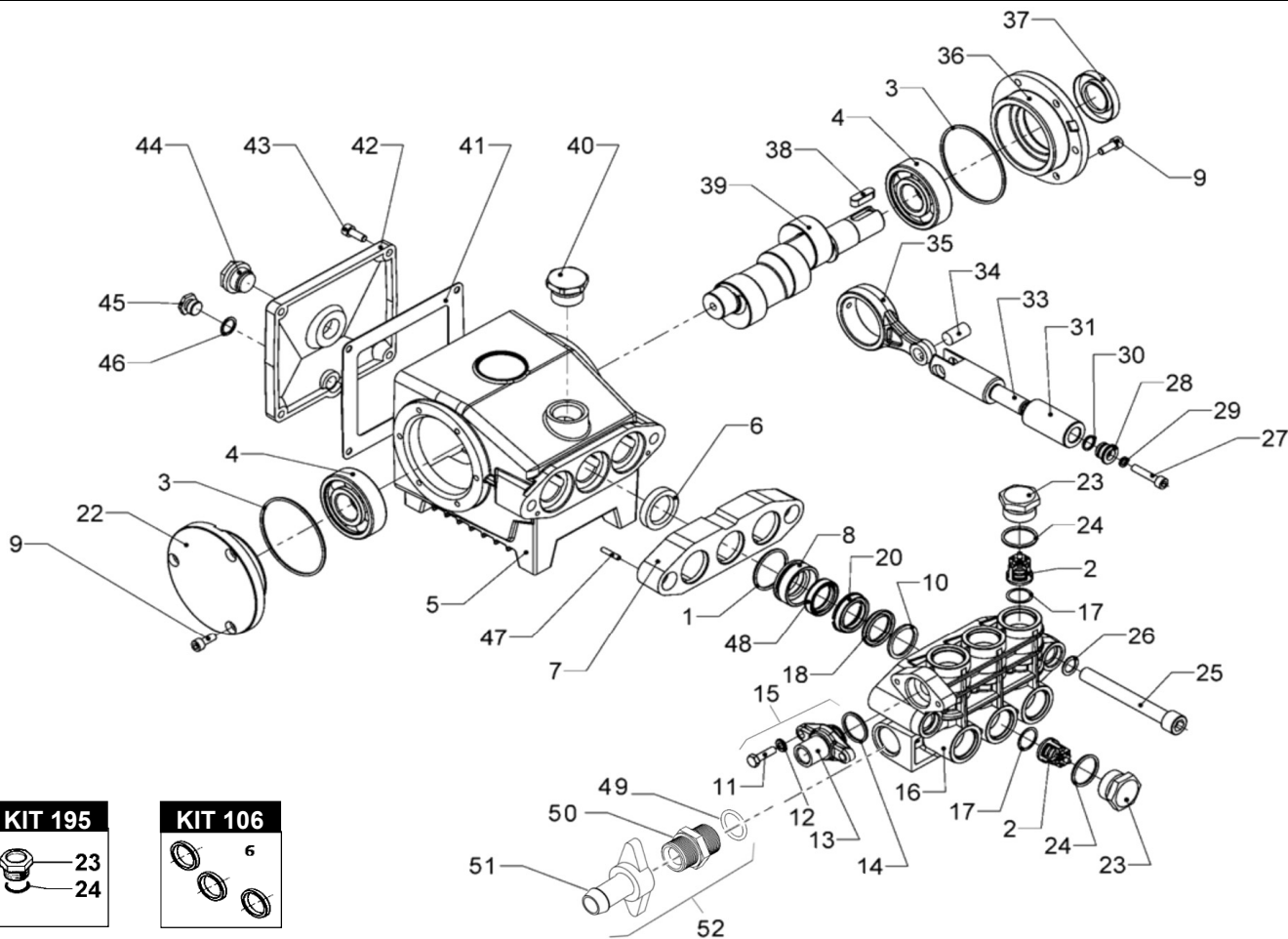


C40.1



POS.	CODICE PART NO. RÉF.	DENOMINAZIONE - DESCRIPTION - DESCRIPTION	Q.TY	POS.	CODICE PART NO. RÉF.	DENOMINAZIONE - DESCRIPTION - DESCRIPTION	Q.TY
1-kit 193-194	803208202	O-RING	3	28	380506532	WASHER	3
2-kit 148	089806973	VALVES ASSEMBLY	6	29	803050002	O-RING	3
3-kit 101	803108502	O-RING	2	30	803058002	O-RING	3
4	812725002	BEARING	2	31	060011182	CERAMIC PISTON	3
5	386005092	CRANKCASE	1	33	380500512	PLUNGER ROD	3
6-kit 106-101	802094002	OIL SEAL	3	34	852006232	PISTON PIN	3
7	386497092	SPACER	1	35	380063082	CONNECTING ROD	3
8-kit 194	380515532	GLAND	3	36	386004092	FLANGE	1
9	862086002	BOLT	6	37-kit 101	802099002	OIL SEAL	1
10-kit 193-194	060015322	THRUST RING	3	38	806522002	TAB	1
11	862190002	BOLT (OPTIONAL)	2	39	380457262	CRANKSHAFT HOUSING	1
12	843585002	WASHER (OPTIONAL)	2	40	852694102	OIL FILLER PLUG	1
13	310268282	PIPE FITTING G 1/2 (OPTIONAL)	1	41-kit 101	380065662	GASKET	1
14	803218002	O-RING(OPTIONAL)	1	42	386003092	CRANKCASE COVER	1
15	318878973	FLANGE G.1/2 (OPTIONAL)	1	43	862131002	BOLT	4
16	380507092	PUMP HEAD	1	44	853510002	OIL SIGHT GLASS	1
17-kit 148	803069002	O-RING	6	45	852543502	PLUG G.1/4	1
18-kit 193-194	802091502	"V" RING	3	46-kit 101	824079002	GASKET	1
20-kit 194	380514532	REAR GLAND	3	47	851151002	PIN	2
22	380458092	COVER	1	48	802303302	"U" RING	3
23-kit 195	380510532	VALVE CAP	6	49	803218002	O-RING (OPTIONAL)	1
24-kit 195	803204002	O-RING	6	50	835060352	NIPPLES G.3/4" (OPTIONAL)	1
25	864090002	BOLT	2	51	245398973	FITTING KIT G.3/4" (OPTIONAL)	1
26	843896002	WASHER	2	52	319166973	FLANGE G.3/4 (OPTIONAL)	1
27	862270002	BOLT	3				
REPAIR KIT		ITEM NO.s INCLUDED	PCS.				
kit 101	389872973	SPARE PARTS KIT	8				
kit 106	389880973	SPARE PARTS KIT	3				
kit 148	089818973	SPARE PARTS KIT	12				
kit 365	389909973	SPARE PARTS KIT	15				
kit 364	389908973	SPARE PARTS KIT	21				
kit 195	389904973	SPARE PARTS KIT	12				